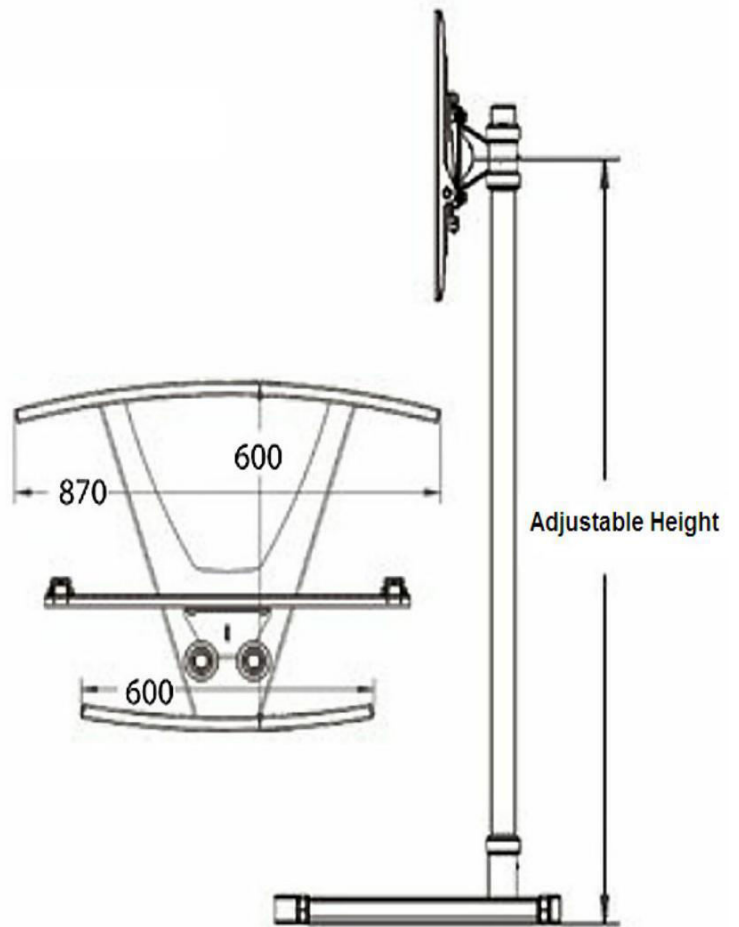


Unicol Plasma/LCD Trolley Stand



Distance from rear of column to rear of unit (wall) 90mm

With their wide choice of interchangeable parts, easy assembly and sheer robustness, these units are the favoured choice of trade show, education, broadcast and AV users everywhere.

A stable and versatile unit for all makes of screens, the stands is fully height adjustable with Landscape or Portrait versions available.

All stands include a metal shelf and a wide selection of component parts enables stands & trolleys of varying types to be easily assembled.

