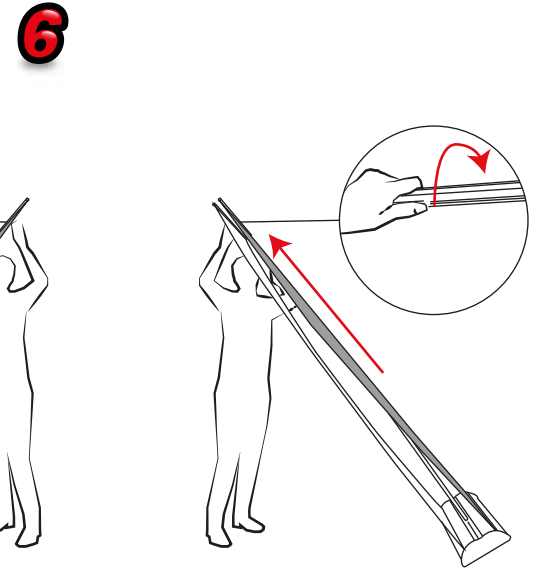
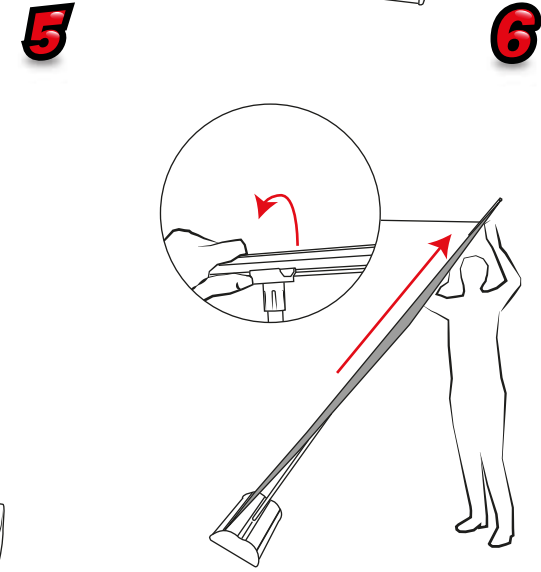
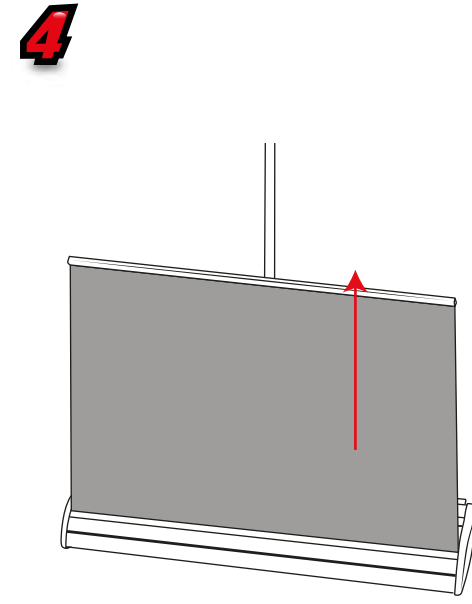
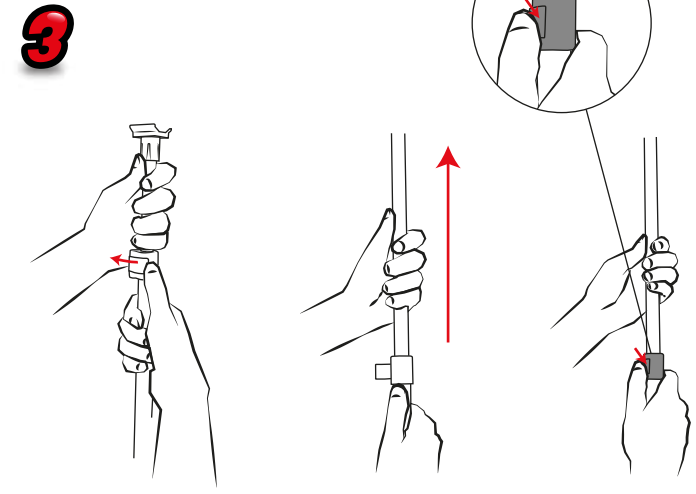
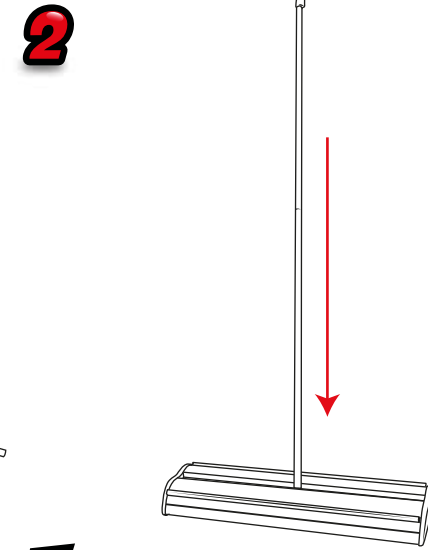
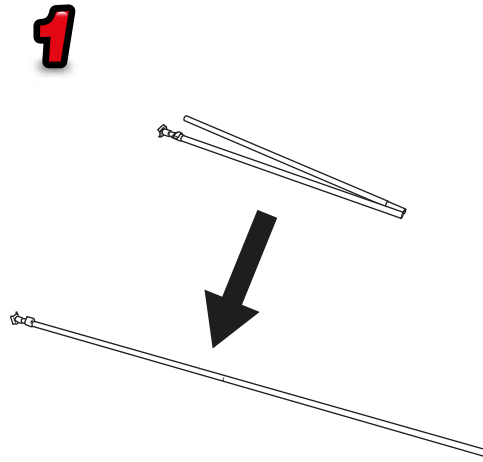
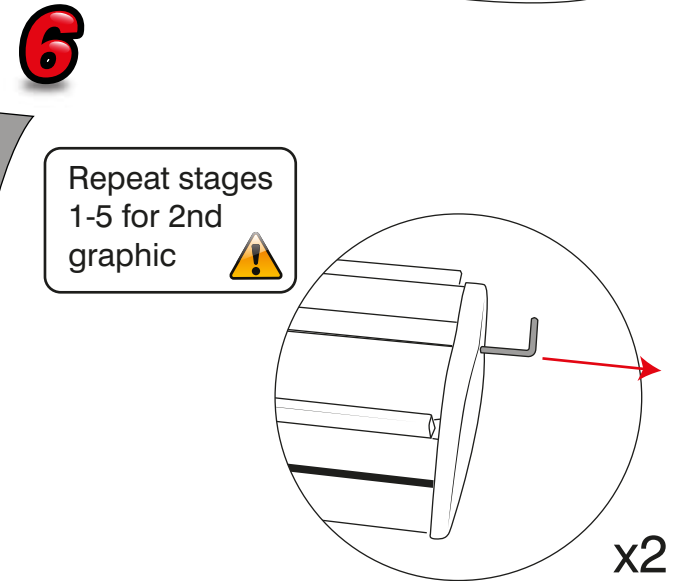
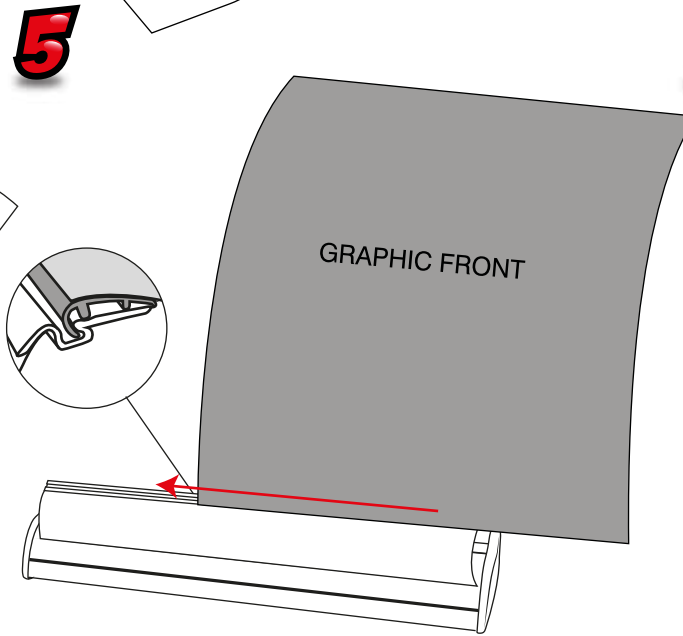
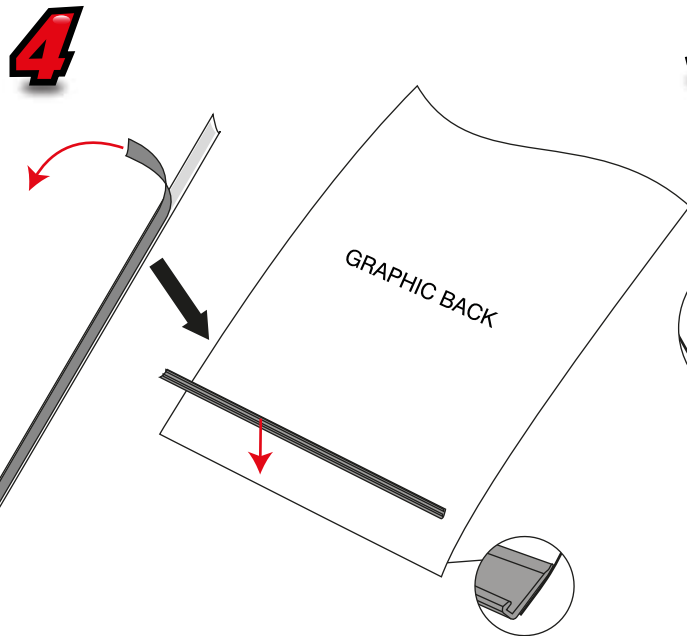
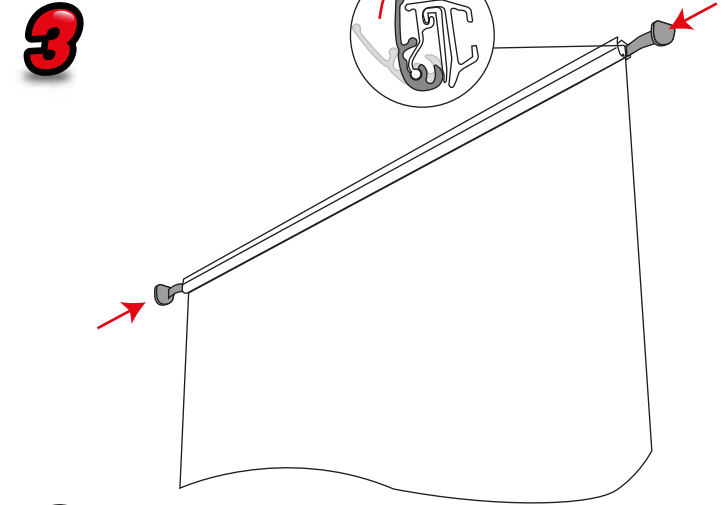
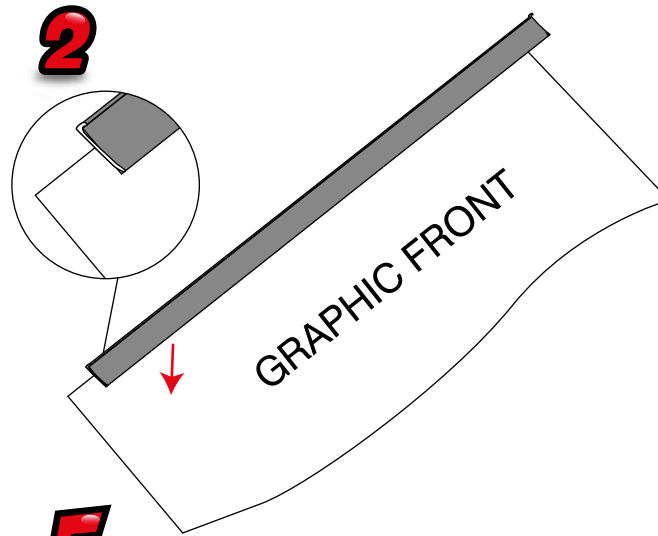
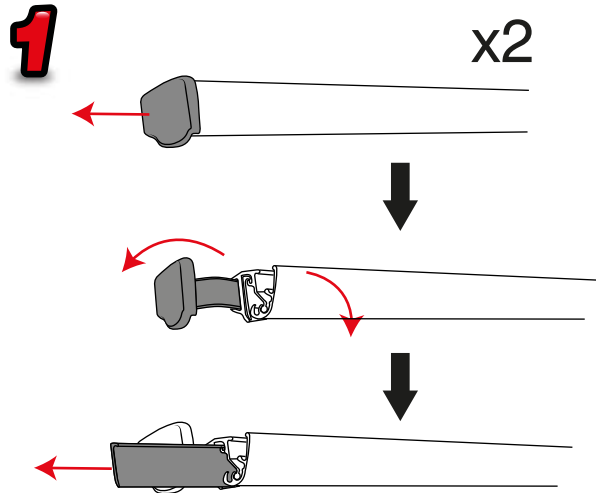


Excaliber 2



Excaliber 2

Attaching Graphic

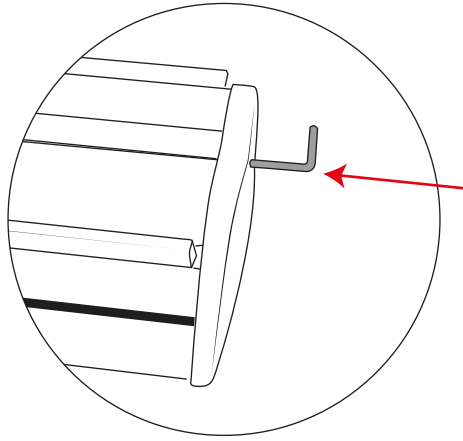


x2

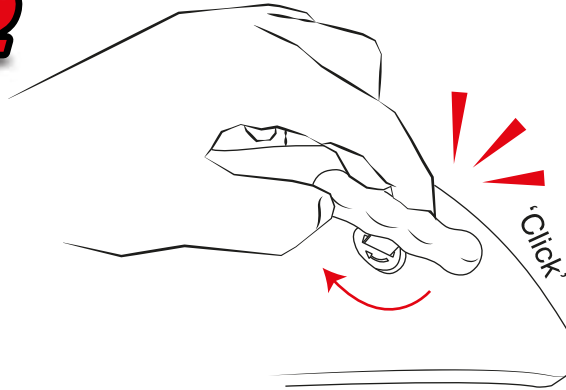
Excaliber 2

Tensioning Graphic

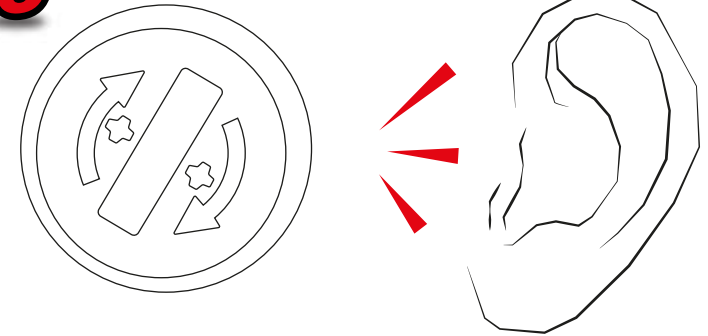
1



2

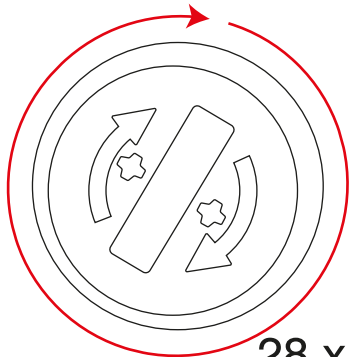


3



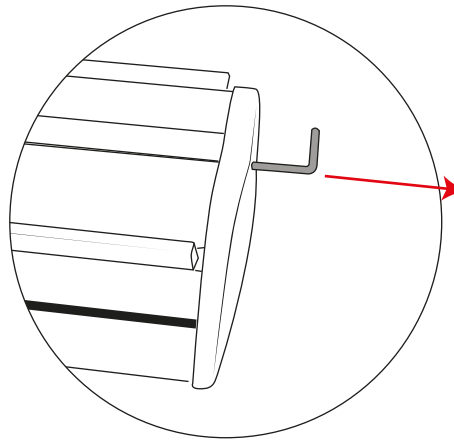
'Clicks' x 6 = 360°
= 1 full turn

4



28 x 360°
fully tensioned
from slack

5



6

